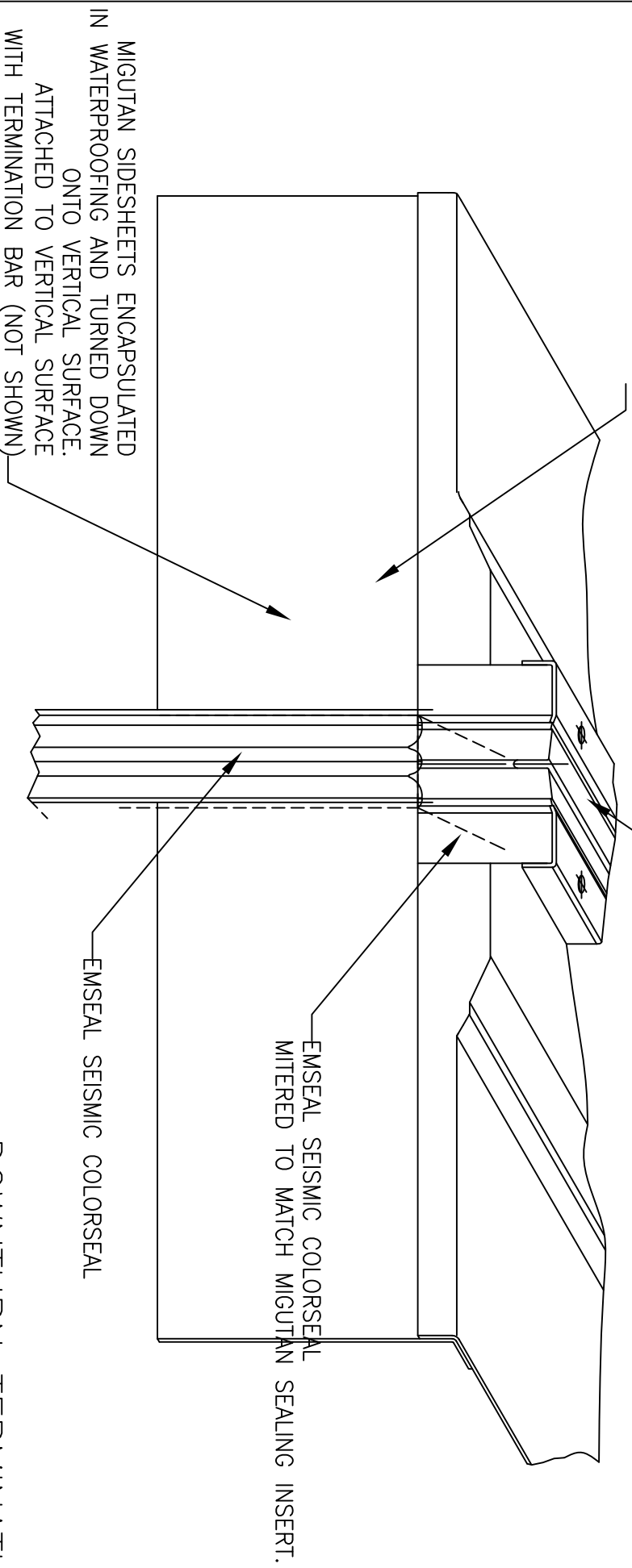


COUNTER-FLASHING (BY OTHERS)
 TO COVER SIDE FLASHING
 SIDE FLASHING SHEETS AND WATERPROOFING
 MEMBRANE (BY OTHERS NOT SHOWN)

MIGUTAN FP 110/... SERIES
 INSTALLED ON ROOF CURB BLOCKING
 WITH FACTORY-FABRICATED DOWNTURN
 IN CENTRAL SEALING INSERT AND SIDE FLASHING
 SHEETS.



EMSEAL SEISMIC COLORSEAL
 MITERED TO MATCH MIGUTAN SEALING INSERT.

EMSEAL SEISMIC COLORSEAL

DOWNTURN TERMINATION

MIGUTAN SIDESHEETS ENCAPSULATED
 IN WATERPROOFING AND TURNED DOWN
 ONTO VERTICAL SURFACE.
 ATTACHED TO VERTICAL SURFACE
 WITH TERMINATION BAR (NOT SHOWN)

EMSEAL JOINT SYSTEMS LTD.

FP 110/... DOWNTURN TERMINATION TO SEISMIC COLORSEAL

THIS DOCUMENT CONTAINS INFORMATION OF A CONFIDENTIAL NATURE
 UNAVAILABLE TO THE PUBLIC AND IS PROPRIETARY TO EMSEAL
 JOINT SYSTEMS LTD. THIS DRAWING IS PROTECTED BY COPYRIGHT. THE RIGHT TO
 REPRODUCE IN ANY FORM BEING THE EXCLUSIVE RIGHT OF EMSEAL
 JOINT SYSTEMS LTD. ANY UNAUTHORIZED REPRODUCTION WHETHER IN
 TWO OR THREE DIMENSIONS WILL BE PROSECUTED.

DRAWN	DATE:	SCALE:	SHEET
BY: WAJ	10/28/03	N.T.S.	No:
PART NUMBER:	TRANS\028-0-04-00		